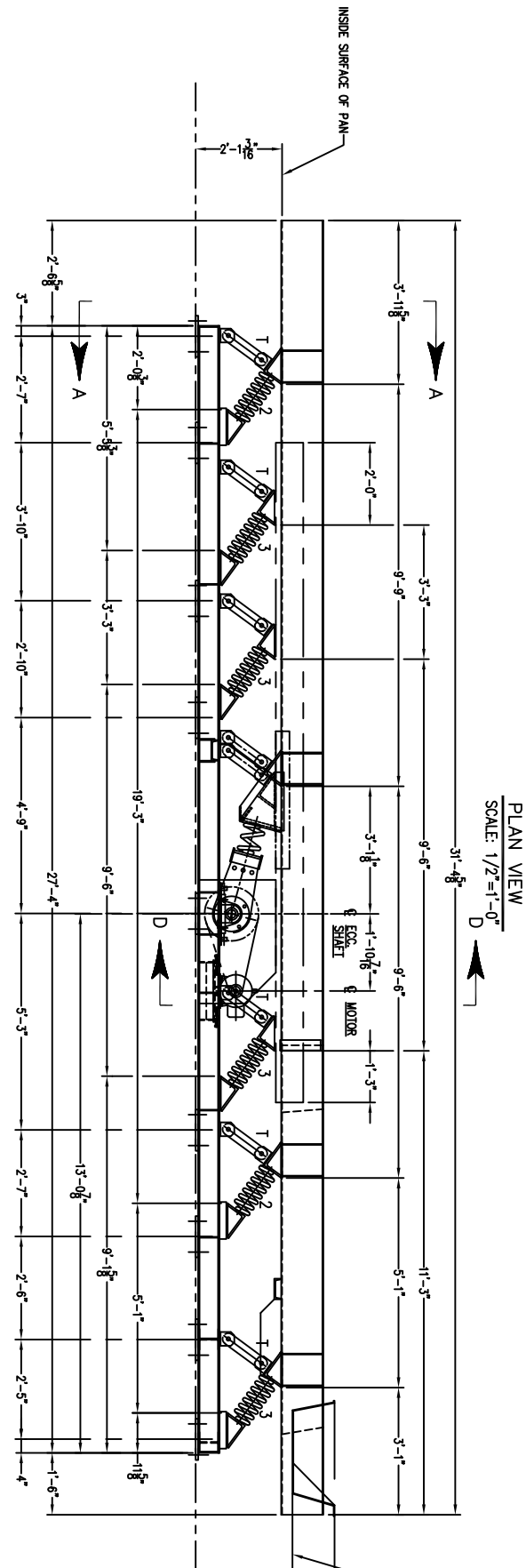
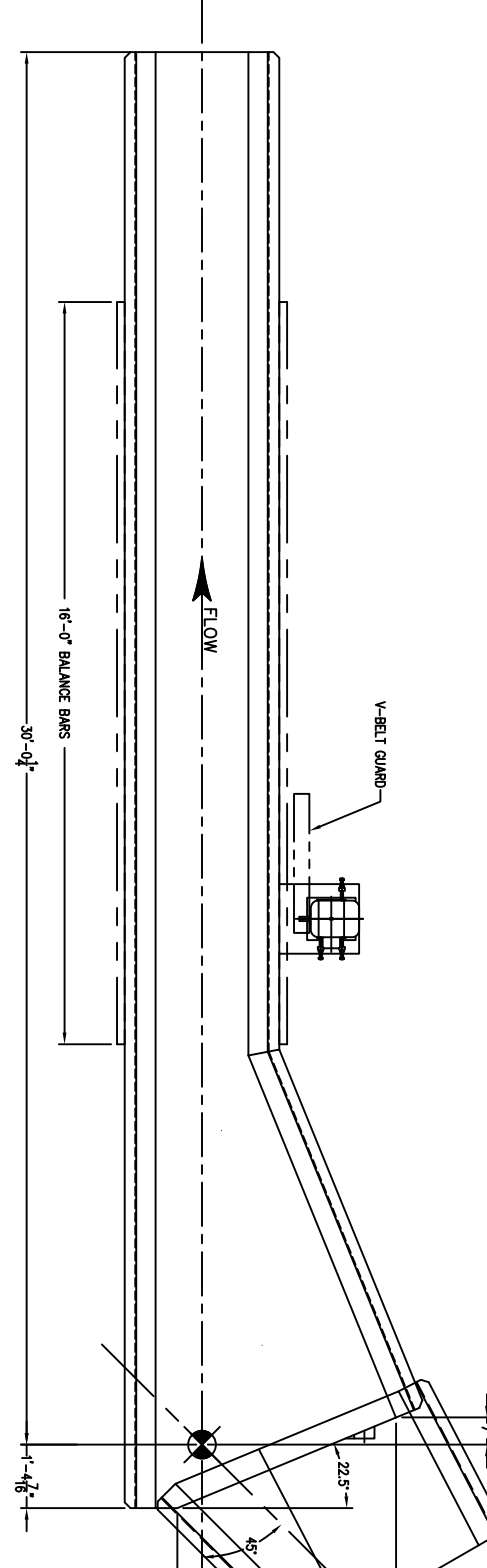
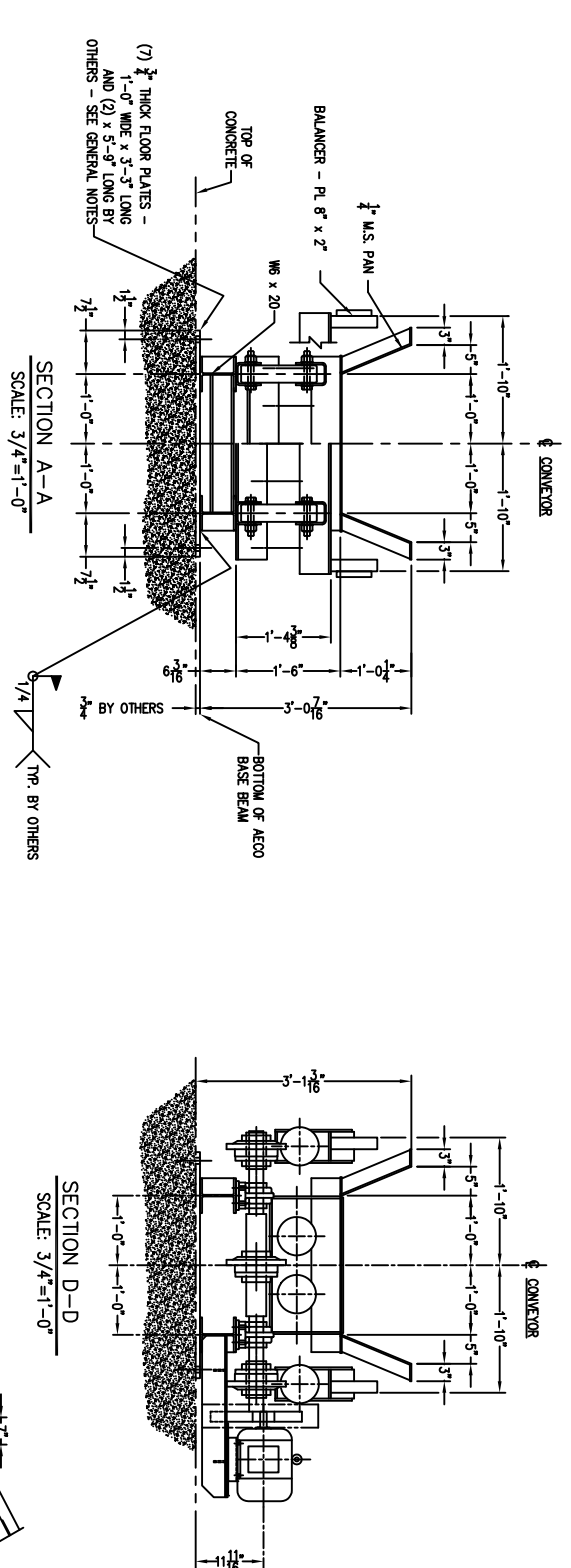


MACHINERY LIST -XHDB

QTY.	PART NO.	DESCRIPTION
		ROCKER ARMS
17	SD91X65	ROCKER ARM ASSEMBLY
34	SD91X65BBA	ROCKER ARM BUSHING BOLT ASSEMBLY
34	SD91X65BR	ROCKER ARM BRACKET 5/16"
		REACTION SPRINGS
16	SD76W1215	REACTION SPRING
32	SD76W1215BA	REACTION SPRING BOLT ASSEMBLY
		DRIVE (PAN)
2	DS045	DRIVE SPRING NO. 4500 (ORANGE)
4	DS045TNBA	DRIVE SPRING BOLT ASSEMBLY
1	SD-12-16-96-02-A	DRIVE SPRING CONNECTING BRACKET
1	SD-04-05-93-04	CONNECTING ARM 3/4"
		DRIVE (BALANCER)
2	DS045	DRIVE SPRING NO. 4500 (ORANGE)
4	DS045TNBA	DRIVE SPRING BOLT ASSEMBLY
2	SD-12-16-96-02-B	DRIVE SPRING CONNECTING BRACKET
2	SD-04-05-93-03	CONNECTING ARM 5/8"
		ECCENTRIC SHAFT
1	SD-02-26-93-01-1 HC	ECCENTRIC SHAFT 3 7/16" DIA. W/ 7/16" ECC.
2	SD-02-26-93-01-A	ECCENTRICS 3 7/16" DIA. W/ 7/16" ECC.
2	KP9207F	PILLOW BLOCK BEARING 2 7/16" DIA.
3	KBR6307	FLANGE BEARING 3 7/16" DIA.
1	2B154SK	SHEAVE
1	SK2 7/16	BUSHING
		MOTOR
1		TOSHIBA 5HP - 1800 RPM - FRAME 184T - TFC Eqp III PREMIUM EFFICIENCY MOTOR 230/460 VOLT, 3 PHASE, 60 HZ NEMA "B" DESIGN
1	2B034SH	SHEAVE
1	SH1 1/8	BUSHING
2	BX75	V-BELTS
1		V-BELT GUARD 14 GA. 4" x 22" x 36"
		MISCELLANEOUS
N/A		CENTRAL LUBRICATION KIT
N/A		METAL DETECTOR -
N/A		MAGNET TRAP
N/A		STROKE CONTROL UNIT



**GENERAL NOTES**

FLOOR PLATES BY OTHERS. USE 1" NON-LEAD TYPE ANCHOR BOLTS (BY OTHERS). EPOXY TO FLOOR WITH CONCRESE PASTE (UP) OR GROUT PER MANUFACTURERS RECOMMENDATIONS.

**LOADS**

STATIC	
DYNAMIC	575#
	775#
	775#
	422 RPM

**NOTES**

PAINT : CONVEYOR - ACTION GREEN  
DRIVE GUARD - SAFETY YELLOW

SHIPPING BRACKES : MUST BE REMOVED BEFORE STARTING CONVEYOR

**DESCRIPTION**

ONE (1) 24/34" WIDE x 12" DEEP x 31'-4 5/8" LONG XHDB DYNAMIC ACTION VIBRATING CONVEYOR TO HANDLE SANDUST, SLABS & SHIMS

ACTION EQUIPMENT COMPANY, INC. ASSUMES NO RESPONSIBILITY FOR THE DESIGN OF CONVEYOR FOUNDATIONS AND/OR SUPPORTING STEEL.

**ACTION EQUIPMENT COMPANY, INC.**

P.O. BOX 3100 • MEMPHIS, OREGON 97132 • PHONE (503) 527-1111

**SAFETY**

ALL EQUIPMENT BEARING SAFETY SOUND FUNDAMENTAL BUILT-IN SAFETY.

**TITLE:** GENERAL ARRANGEMENT TRANSFER CONVEYOR UNIT 303 FOR MONADNOCK FOREST PRODS. CLAREMONT, NH

DRAWN BY: SCD DATE: 1-28-01

REV. NO.: 1629-03-GA-01